

# ELBA

Built In Kitchen Appliances



 Made in Italy 

built-in appliances





## Contents

<b>4</b>	<b>Ovens &amp; microwave</b>	<b>30</b>	Planum 60F
8	Primoris	<b>32</b>	Planum 60S
11	Superius	<b>34</b>	Modulum
14	Linearis	<b>36</b>	<b>Hoods</b>
15	Alterum	<b>37</b>	Insula
16	Elementum	<b>38</b>	Universum
<b>18</b>	<b>Hobs</b>	<b>39</b>	Spatium
19	Elegantia	<b>40</b>	<b>Oven features</b>
20	Elegantia 71	<b>42</b>	<b>Hob features</b>
21	Elegantia 41	<b>46</b>	<b>Hood features</b>
22	Vitrum	<b>48</b>	<b>Oven diagrams</b>
24	Planum 90	<b>49</b>	<b>Hob diagrams</b>
27	Planum 74	<b>51</b>	<b>Hood diagrams</b>
28	Planum 70		





















# Built In Ovens

Exporting to more than 70 countries globally, the range of built in products has been developed with each market specification in mind ranging from the latest cutting-edge design and multifunction electronic built in ovens to essential and reliable products.

- 1. PRIMORIS** - Cutting-edge electronic multifunction built in ovens
- 2. SUPERIUS** - Contemporary multifunction built in ovens
- 3. LINEARIS** - Contemporary multifunction built in ovens with rotisserie
- 4. ALTERUM** - Elegant and efficient built in ovens
- 5. ELEMENTUM** - Simply reliable and affordable built in ovens

# Oven Functions Symbols



	<b>Light</b>			<b>Upper and lower heating element with fan</b> For even cooking of large quantities
<b>Upper and lower heating element</b> For baking and even cooking both in- and outside			<b>Lower heating element with fan</b> For higher temperature at the bottom	
<b>Lower heating element</b> For cooking/browning at the bottom			<b>Fan cooking</b> For even and fast cooking, also of multiple dishes	
<b>Upper heating element</b> For browning on top			<b>Upper heating element with fan cooking</b> For higher temperature at the top and even cooking at the bottom	
<b>Grill</b> For browning and grilling			<b>Lower heating element with fan cooking</b> For higher temperature at the bottom and even cooking on top	
<b>Upper heating element and grill</b> For intense browning and grilling			<b>Upper and lower heating element with rotisserie</b> For even cooking whilst rotating the food	
<b>Grill with fan</b> For fast browning and grilling			<b>Grill with rotisserie</b> For rotating food under the grill	
<b>Upper heating element and grill with fan</b> For fast browning and grilling, providing a rotisserie result			<b>Rotisserie</b> (for gas ovens only)	
<b>Fan only – no heat is distributed</b> For defrosting frozen food			<b>Pyrolytic cleaning</b> During the cleaning process the temperature of the oven reaches max. 500°C burning any fat residue left inside the oven. The door will lock automatically and not open again until safe to touch again. When finished, you can simply wipe away the dust.	

# Oven Features

ELBA's latest cutting edge ovens are A energy rated and have been enhanced with multifunction programmes and easy to use features.



Full touch controls ensure the LED electronic programmer is easy to operate with one simple touch.

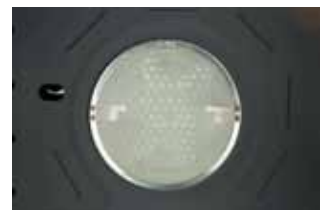
Each cooking programme has pre-set heating temperatures. Simply choose the programme you require and your multifunction oven will cook your meal to perfection. Multifunction options include traditional bake and grill functions as well as fan assisted possibilities for cooking of multiple dishes. The LED indicator will show both pre-heating and residual heat temperatures before, during and after the cooking process.



Telescopic sliding shelf supports make it safer and easier to insert and remove oven trays and shelves. The reversible catalytic panels are covered with a special microporous enamel, which absorbs and removes any oil and fat splashes during normal baking over 200°C. Clean the panels periodically with some lukewarm soapy water and wipe them with a soft cloth to keep your oven sparkling clean.

Three panes will keep the heat safely inside whilst a cooling fan will ensure the door is safe to touch. Child lock is available on selected models.

In addition a special grease filter in the back of the oven will catch any grease particles, especially during roasting. It can be safely washed in the dishwasher after each use. The enamel, specially designed for pyrolytic cleaning, will ensure easy cleaning of your oven.





# Built In Ovens Primoris

PRIMORIS built in ovens are the latest cutting-edge ovens where technology meets design. Multifunction features are easily operated with soft touch; fully automatic programmes and symmetric door openings are finished to a high standard.

## MODEL 810-100 X

This electronically advanced multifunction oven has full **touch controls** with advanced features of pre-set heating temperatures with each cooking function. Just cook your meal at the touch of a button. **The booster programme** will rapidly preheat your oven, ready to cook your favourite meal in no time. With pre-set heating temperatures, simply choose the function required and the oven will automatically display the correct temperature. **Pre-heating and residual heat indicators** will show both temperatures before, during and after cooking.



### Key features

- LED full touch electronic programmer with automatic cooking
- Stainless steel design
- 2 inner lights
- Child lock
- Catalytic self-cleaning panels and easy clean enamel
- Removable door glass
- Telescopic sliding shelves
- Tilting grill element
- Pre-heating and residual heat indicators
- Oven accessories:** tray, shelf, shaped shelf, fat filter, pastry plate
- Overall dimensions:** H 594 x W 594 mm

### Oven functions





**MODELS 610-500 XL**



**MODELS 610-500 XR**



**MODEL 619-100 X**

This multifunction oven with **pyrolytic** function cleans itself. During the cleaning process the oven is warmed up to 500°C burning any fat residue left inside the oven. The door will lock automatically and not open until safe to touch again. When finished, simply wipe away the dust.



**MODEL 610-500 X**

These multifunction ovens not only have a choice of standard door opening but also **left or right hand side opening**. Together they form a matching pair in your kitchen.



**MODEL 610-100 X**

The **Compact oven**, combines the specifications of a real multifunction product with a **35 litres** cavity resulting in a superb cooking performance. The soft design matches with all model of the Primoris line adding further versatility.



**Key features**

LED electronic programmer with start/end cooking  
Stainless steel design  
Pyrolytic self-clean function  
Rotisserie

**Oven accessories:** tray, shelf, shaped shelf, pastry plate

**Overall dimensions:**  
H 594 x W 594 mm

**Oven functions**



**Key features**

LED electronic programmer with start/end cooking  
Stainless steel design  
2 inner lights  
Catalytic self-cleaning panels and easy clean enamel  
Removable door glass  
Telescopic sliding shelves  
Tilting grill element

**Oven accessories:** tray, shelf, shaped shelf, pastry plate, fat filter

**Overall dimensions:**  
H 594 x W 594 mm

**Oven functions**



**Key features**

35 L compact oven  
in stainless steel design  
LED electronic programmer  
Easy clean enamel  
Telescopic sliding shelves

**Oven accessories:** tray, shelf, shaped shelf, fat filter

**Overall dimensions:**  
H 450 x W 594 mm

**Oven functions**



# 90 cm Built In Ovens

## Primoris

The **new 90 cm built in electric** oven reflects Elba's decennial experience. A seamless cavity, **real low power consumption**, an effective **cool door** and the ability to show its talent in cooking. Redesigned to meet the latest design trends, it comes with a choice of cooking options to satisfy the most demanding chef.

### MODEL 101-801 X

90 cm extra large electric oven with multifunction cooking options and rotisserie.

#### Key features

Touch control programmer with start/end cooking  
 Rotisserie  
 Easy removable door  
 Easy removable inner door glass  
 Cooling fan  
 Catalitic self-cleaning panels

#### Oven accessories:

tray, shelf, shaped shelf, rotisserie kit, telescopic sliding sheaves, fan filter

**Overall dimensions:** H 478 x W 896 mm

#### Oven functions



# Built In Microwave



### MODEL 310-00 X

#### Key features

Combi microwave with grill  
 Stainless steel design  
 Automatic cook and defrost functions  
 Options to cook by food category, programme function time  
 Microwave upto 900W:  
 defrost, simmer, heat and high cook  
 Grill upto 1200W  
 Stop turntable option for large plates

#### Overall dimensions:

H 460 x W 592 mm



# Built In Ovens Superius

## MODEL 211-800\*

### Key features

Electronic programmer with start/end cooking  
Catalytic self-cleaning panels and easy clean enamel  
Removable door glass  
Telescopic sliding shelves

**Oven accessories:** tray, shelf, shaped shelf, pastry plate, fat filter

### Overall dimensions:

H 594 x W 594 mm

### Available in

stainless steel: **211-800 X\***  
white: **211-800 WH\***  
black: **211-800 BK\***

### Oven functions



## MODEL 211-600\*

### Key features

Electronic programmer with start/end cooking  
Removable door glass

**Oven accessories:** tray, shelf, shaped shelf

### Overall dimensions:

H 594 x W 594 mm

### Available in

stainless steel: **211-600 X\***  
white: **211-600 WH\***  
black: **211-600 BK\***

### Oven functions



SUPERIUS built in ovens have all the modern functions and design you would expect and ensure your cooking will exceed all your expectations.

\*Same design oven for  
**MODELS 211-800 & 211-600**

# 90 cm Built In Ovens

## Superius

The masterpiece of built in **gas ovens**, a new generation of products, in the size of 90cm for the most demanding gourmets. The design is in the sign of continuity with Elba's Line, featuring side controls, cool door and seamless cavity. The **internal ventilation brings** further flexibility in terms of functionality and the best cooking performance.



### MODEL 108-92 X

A 90 cm extra large ventilated gas oven with grill and rotisserie

#### Key features

Electronic clock with minute minder  
 Rotisserie  
 Safety device  
 Electronic ignition  
 Easy removable door  
 Cooling fan  
 Fan cooking function

#### Oven accessories:

tray, shelf, shaped shelf, rotisserie kit, fan filter

**Overall dimensions:** H 478 x W 896 mm

#### Oven functions



### MODEL 101-800 X

A 90 cm extra large electric oven with multifunction cooking options and rotisserie.

#### Key features

Electronic programmer with start/end cooking  
 Rotisserie  
 Easy removable door  
 Easy removable inner door glass  
 Cooling fan

#### Oven accessories:

tray, shaped shelf, rotisserie kit

**Overall dimensions:** H 478 x W 896 mm

#### Oven functions



### MODEL 109-52 X

A 90 cm extra large ventilated gas oven with grill and rotisserie

#### Key features

Stainless steel design  
 Rotisserie  
 Safety device  
 Electronic ignition  
 Cooling fan  
 Easy removable door  
 Minute minder

**Oven accessories:** tray, shaped shelf, rotisserie kit

**Overall dimensions:**

H 478 x W 896 mm

#### Oven functions



### MODEL 911-800 X

The unique **double multifunction oven** not only has conventional upper and lower heating element but also fan cooking options in the bottom oven.



### MODEL 511-620 X

This **gas oven** with gas grill has the extra benefit of a **rotisserie**, which browns your food on the outside whilst gently cooking on the inside.



#### Key features

Stainless steel design  
Electronic programmer  
with start/end cooking  
Easy clean enamel  
Removable door glass  
Energy rating class A/A

#### Oven accessories:

tray, shelf, shaped shelf

#### Overall dimensions:

H 888 x W 594 mm

#### Oven functions

top



bottom



#### Key features

Stainless steel design  
Analogue clock with minute minder  
Catalytic self-cleaning panels  
Exhaust fan  
Automatic ignition

#### Oven accessories:

tray, shelf, shaped shelf, pastry plate  
rotisserie kit

#### Overall dimensions:

H 594 x W 594 mm

#### Oven functions



# Built In Ovens Linearis



LINEARIS ovens are multifunction with the additional benefit of rotisserie. The sparkling appearance will stand out in your kitchen.

## MODEL 415-825

### Key features

Electronic programmer with start/end cooking  
Rotisserie  
Catalytic self-cleaning panels and easy clean enamel  
Cooling fan  
Easy removable door

### Oven accessories:

tray, shelf, shaped shelf, pastry plate

**Overall dimensions:** H 594 x W 594 mm

### Available in

stainless steel: **415-825 MR**  
white: **415-825 WH**  
black: **415-825 BK**

### Oven functions



# Built In Ovens Alterum

ALTERUM ovens are elegant and efficient. The sleek design of stainless steel and glass is combined with the essential key cooking functions.



## MODEL 111-624\*

### Key features

Easy clean enamel  
Cooling fan  
Easy removable door  
Minute minder

**Oven accessories:** tray, shelf

### Overall dimensions:

H 594 x W 594 mm

### Available in

stainless steel: **111-624 X\***

black: **111-624 BK\***

### Oven functions



## MODEL 111-722\*

### Key features

Rotisserie  
Easy clean enamel  
Cooling fan  
Easy removable door  
Minute minder

### Oven accessories:

tray, shelf, rotisserie kit

### Overall dimensions:

H 594 x W 594 mm

### Available in

stainless steel: **111-722 X\***

black: **111-722 BK\***

### Oven functions



## MODEL 510-621 X

### Key features

Gas oven with gas grill  
Rotisserie  
Stainless steel design  
Automatic ignition  
Minute minder  
Exhaust fan  
Easy removable door

### Oven accessories:

tray, shelf, pastry plate, rotisserie kit

### Overall dimensions:

H 594 x W 594 mm

### Oven functions



\*Same design oven for **MODELS 111-624 & 111-722**



# Built In Ovens Elementum

ELEMENTUM ovens are reliable and affordable with the essential key cooking functions. Available in electric or gas with a choice of white, black or stainless steel finish.

## MODEL 510-611

### Key features

Gas oven with thermostat control up to 240 °C and gas grill  
Minute minder  
Rotisserie

**Oven accessories:** tray, shelf

**Overall dimensions:**

H 594 x W 594 mm

### Available in

stainless steel: **510-611 X**

black: **510-611 BK**

white: **510-611 WH**

### Oven functions



\*Same design oven for  
**MODELS 125-624, 125-925  
125-722 & 125-725**

## MODEL 125-624\*

### Key features

Stainless steel design  
Grill and static cooking options with fan  
Easy clean enamel  
Minute minder

**Oven accessories:** tray, shelf

**Overall dimensions:**

H 594 x W 594 mm

### Available in

stainless steel: **125-624 X\***

black: **125-624 BK\***

white: **125-624 WH\***

### Oven functions



## MODEL 125-925\*

### Key features

Grill and fan cooking options  
Easy clean enamel  
Minute minder

**Oven accessories:** tray, shelf

**Overall dimensions:**

H 594 x W 594 mm

### Available in

stainless steel: **125-925 X\***

black: **125-925 BK\***

white: **125-925 WH\***

### Oven functions



## MODEL 125-725\*

### Key features

Grill and static cooking options  
Easy clean enamel  
Minute minder

**Oven accessories:** tray, shelf

**Overall dimensions:**

H 594 x W 594 mm

### Available in

stainless steel: **125-725 X\***

black: **125-725 BK\***

white: **125-725 WH\***

### Oven functions



## MODEL 125-722\*

### Key features

Static and grill cooking options  
Easy clean enamel  
Rotisserie

Minute minder

**Oven accessories:**

tray, shelf, rotisserie kit

**Overall dimensions:**

H 594 x W 594 mm

### Available in

stainless steel: **125-722 X\***

black: **125-722 BK\***

white: **125-722 WH\***

### Oven functions







**MODEL 109-51**

A 90 cm extra large gas oven with grill and rotisserie

**Key features**

- Rotisserie
- Safety device
- Electronic ignition
- Cooling fan
- Easy removable door
- Minute minder

**Oven accessories:**

- tray, shelf,
- rotisserie kit

**Overall dimensions:**

H 478 x W 896 mm

**Available in**

- stainless steel: **109-51 X**
- black: **109-51 BK**
- white: **109-51 WH**

**Oven functions**



**MODEL 109-71**

A 90 cm extra large gas oven with electric grill and rotisserie

**Key features**

- Rotisserie
- Safety device
- Electronic ignition
- Cooling fan
- Easy removable door
- Minute minder

**Oven accessories:**

- tray, shelf,
- rotisserie kit

**Overall dimensions:**

H 478 x W 896 mm

**Available in**

- stainless steel: **109-71 X**
- black: **109-71 BK**
- white: **109-71 WH**

**Oven functions**



**MODEL 102-501 XM**

90 cm extra large electric multifunction oven with rotisserie

**Key features**

- Stainless steel design
- Rotisserie
- Cooling fan
- Easy removable door
- Minute minder

**Oven accessories:** tray, shelf, rotisserie kit

**Overall dimensions:**

H 478 x W 896 mm

**Oven functions**



**MODEL 102-500 X**

90 cm extra large electric static oven with rotisserie

**Key features**

- Stainless steel design
- Rotisserie
- Cooling fan
- Easy removable door
- Minute minder

**Oven accessories:** tray, shelf, rotisserie kit

**Overall dimensions:**

H 478 x W 896 mm

**Oven functions**

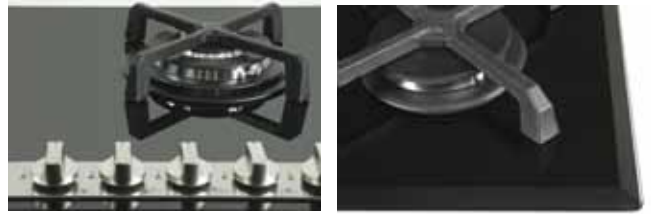




# Built In Hobs

The range of hobs has been carefully selected to match the built in ovens as well as suit the different style of cooking in each market. Subtle small elements and powerful wok burners, come with a choice of front or side controls. ELBA only uses quality materials and all hobs have a timeless stainless steel or glass design.

1. **ELEGANTIA** - Built in gas-on-glass hobs
2. **VITRUM** - Built in vitroceramic hobs
3. **PLANUM** - Built in gas hobs
4. **MODULUM** - Built in domino units



# Gas-on-Glass Hobs Elegantia

Gas-on-glass hobs combine two essential features: fast cooking on gas and easy cleaning of glass. The modern design of bevelled glass will ensure a safe fitting into your kitchen.

E75 - 550 MODELS now available with the standard 60 cm cut out suitable all kitchen.



**MODEL E95-500 BK**  
Gas-on-glass design

**Key features**

- 5 gas burners
- 1 powerful 4.00kW triple ring wok burner
- Easy to reach front controls
- Electronic ignition
- Safety devices
- Cast iron pan supports

**Accessories:** cast iron wok stand  
**Dimensions (W x D):** 869 x 510 mm

**Available in** black glass only



**MODEL E75-550**  
Gas-on-glass design

**Key features**

- 5 gas burners
- 1 powerful 4.00kW triple ring wok burner
- Easy to reach front controls
- Electronic ignition
- Safety devices
- Cast iron pan supports

**Accessories:** cast iron wok stand  
**Dimensions (W x D):** 715 x 510 mm

**Available in**

- Black glass: **E75-550 BK**
- White glass: **E75-550 WH**



**MODEL E65-400 BK**  
Gas-on-glass design

**Key features**

- 4 gas burners
- Easy to reach front controls
- Electronic ignition
- Safety devices
- Cast iron pan supports

**Dimensions (W x D):** 580 x 510 mm

**Available in** black glass only

MODEL E71-300 MR  
MODEL E71-300 BK



MODEL E71-200 MR  
MODEL E71-200 BK



# Gas-on-Glass Hobs

## Elegantia 71

Inspired to oriental style, this unique design allows more space for fast cooking on the powerful wok burners.

### MODEL E71-300

Gas-on-glass design

#### Key features

- 3 gas burners
- 2 powerful 4.00kW triple ring wok burners
- Easy to reach front controls
- Electronic ignition
- Safety devices
- Cast iron pan supports

**Accessories:** cast iron wok stand

**Dimensions (W x D):** 730 x 430 mm

#### Available in

Black glass: **E71-300 BK**

Mirrored glass: **E71-300 MR**

### MODEL E71-200

Gas-on-glass design

#### Key features

- 2 gas burners
- 2 powerful 4.00kW triple ring wok burners
- Easy to reach front controls
- Electronic ignition
- Safety devices
- Cast iron pan supports

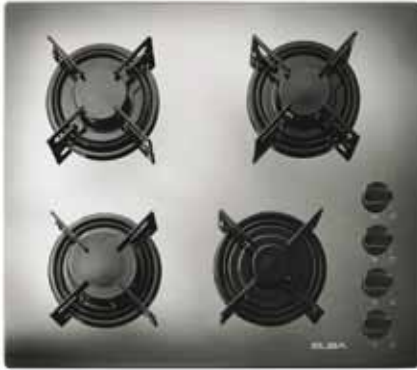
**Accessories:** cast iron wok stand

**Dimensions (W x D):** 730 x 430 mm

#### Available in

Black glass: **E71-200 BK**

Mirrored glass: **E71-200 MR**



**MODEL E41-450 MR**

**MODEL E41-450 BK**

Gas-on-glass design

**Key features**

4 gas burners

Side controls

Electronic ignition

Safety devices

Dishwashable enamelled pan supports

**Dimensions (W x D):** 590 x 510 mm

**Available in**

Black glass: **E41-450 BK**

Without safety devices **E41-451 BK**

Mirrored glass: **E41-450 MR**

Without safety devices **E41-451 MR**



# Gas-on-Glass Hobs

## Elegantia 41



**MODEL E41-455 BK**

Gas-on-glass design

**Key features**

4 gas burners

Side controls

Electronic ignition

Safety devices

Cast iron pan supports

**Dimensions (W x D):** 590 x 510 mm

**Available in** Black glass only

Standard 60cm wide gas-on-glass hobs with side controls provide a fine alternative for replacement or standard 60cm cut-out spaces.



# Built In Induction & Vitroceramic Hobs Vitrum

The frameless Elba vitroceramic hobs include a wide range of manual and soft touch controls, 4 and 5 zone ceramic hobs, and high-tech induction hobs. A timer is available on each element whilst the Hi-Light elements ensure fast and productive heating. Safety comes first with residual heat indicators, auto switch off functions and a safety lock.

## MODEL 377-004 I

### Key features

- 4 Induction cooking zones
- Infrared touch control
- Booster function available on each cooking zone
- Optimize energy management
- Built in timer of up to 99 minutes for each cooking zone
- Residual heat indication
- 10 cooking positions per cooking zone
- 8 safety functions
- Easy to clean ceramic shatterproof safety glass

**Dimensions (W x D):** 770 x 510 mm



## MODEL 345-004 I

### Key features

- 4 Induction cooking zones
- Infrared touch control
- Booster function available on each cooking zone
- Optimize energy management
- Built in timer of up to 99 minutes for each cooking zone
- Residual heat indication
- 10 cooking positions per cooking zone
- 8 safety functions
- Easy to clean ceramic shatterproof safety glass

**Dimensions (W x D):** 590 x 510 mm



## MODEL 377-006

Bevelled black glass  
with side trim in stainless steel

### Key features

- 4 Hi-Light heating zones
- Includes 1 dual circular and 1 dual oval Hi-light heating zones
- 9 heat settings
- Easy to use soft touch controls
- Timer on all heating zones
- Automatic safety switch off
- Residual heat indicators
- Child lock

**Dimensions (W x D):** 770 x 510 mm

## MODEL 345-005

Bevelled black glass  
with side trim in stainless steel

### Key features

- 4 Hi-Light heating zones
- Includes 1 dual circular Hi-light heating zone
- 9 heat settings
- Easy to use soft touch controls
- Timer on all heating zones
- Automatic safety switch off
- Residual heat indicators
- Child lock

**Dimensions (W x D):** 590 x 510 mm



Vitroc ceramic hobs with manual controls include Hi-Light heating zones up to 12 heat settings each. The bevelled ceramic glass ensures a safe fitting into your kitchen.

**MODEL 477-007 X**

Bevelled black glass with side trim in stainless steel

**Key features**

- 5 Hi-Light heating zones
- Includes 1 dual circular
- 1 dual oval Hi-light zones
- 12 heat settings
- Easy to reach front controls
- Residual heat indicators

**Dimensions (W x D):** 900 x 510 mm

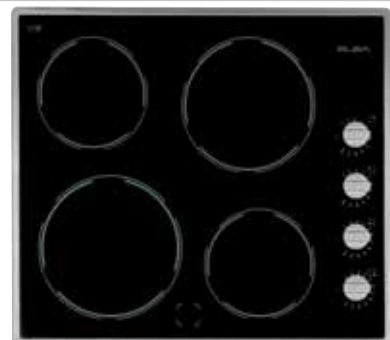
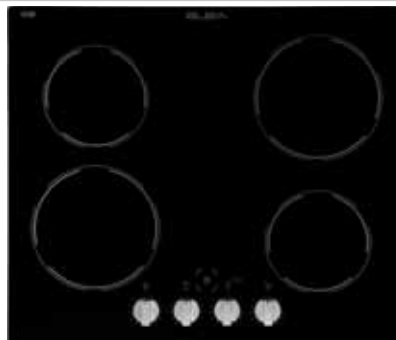
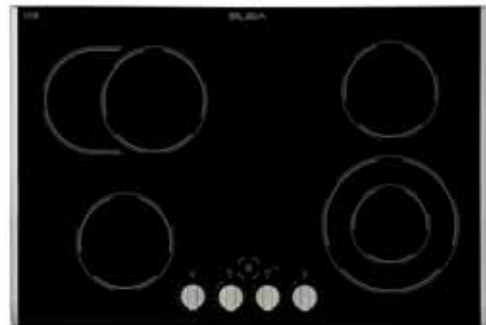
**MODEL 377-007 X**

Bevelled black glass with side trim in stainless steel

**Key features**

- 4 Hi-Light heating zones
- Includes 1 dual circular
- 1 dual oval Hi-light zones
- 12 heat settings
- Easy to reach front controls
- Residual heat indicators

**Dimensions (W x D):** 770 x 510 mm



**MODEL 345-442 X**

Bevelled black glass with side trim in stainless steel

**Key features**

- 4 Hi-Light heating zones
- 12 heat settings
- Easy to reach front controls
- Residual heat indicators

**Dimensions (W x D):** 590 x 510 mm

**MODEL 345-450 GL**

Frameless ceramic design

**Key features**

- 4 Hi-Light heating zones
- 12 heat settings
- Easy to reach front controls
- Residual heat indicators

**Dimensions (W x D):** 590 x 510 mm

**MODEL 246-440 X**

Black glass with stainless steel trim

**Key features**

- 4 heating zones
- 6 heat settings
- Side controls
- Residual heat indicators

**Dimensions (W x D):** 575 x 510 mm



# Built In Gas Hobs Planum 90

This versatile range of 90 cm gas hobs combines style with functionality. Reliable and efficient gas hobs with option of electric hotplates.



**MODEL E95-645 X**  
Stainless steel design

**Key features**

- 6 gas burners
- 1 triple ring wok burner
- Electronic ignition
- Safety devices
- Cast iron pan supports
- Side controls

**Accessory:** cast iron wok stand

**Optional:** glass lid GL390

**Dimensions (W x D):** 860 x 500 mm

Without safety devices:

**MODEL E95-646 X**



**MODEL E95-555 X**  
Stainless steel design

**Key features**

- 5 gas burners
- 1 triple ring wok burner
- 1 fish burner
- Electronic ignition
- Safety devices
- Cast iron pan supports
- Side controls

**Accessory:** cast iron wok stand

**Optional:** glass lid GL390

**Dimensions (W x D):** 860 x 500 mm

Without safety devices:

**MODEL E95-556 X**



**GLASS LIDS:**  
GL 390 MIRROR  
GL 390 BLACK



#### DUAL BURNER

Dual gas burner providing greater flexibility from gentle 0.3kW simmering to a powerful 4.2kW burner.



#### MODEL E95-565 X

Stainless steel design

##### Key features

- 5 gas burners
- 1 dual burner
- 1 triple ring wok burner
- Electronic ignition
- Safety devices
- Cast iron pan supports
- Side controls

**Optional:** glass lid GL390

**Dimensions (W x D):** 860 x 500 mm

#### MODEL E95-545 X

Stainless steel design

##### Key features

- 5 gas burners
- 1 triple ring wok burner
- Electronic ignition
- Safety devices
- Cast iron pan supports
- Side controls

**Accessory:** cast iron wok stand

**Optional:** glass lid GL390

**Dimensions (W x D):** 860 x 500 mm

Without safety devices:

**MODEL E95-546 X** (Stainless steel)

**MODEL E95-546 WH** (White)

**MODEL E95-546 BK** (Black)

**MODEL E95-546 BN** (Moka)

**MODEL E90-550 X**  
Stainless steel design

**Key features**

5 gas burners  
1 triple ring wok burner  
1 fish burner  
Electronic ignition  
Safety devices  
Dishwashable enamelled pan supports  
Side controls

**Accessory:** wok stand

**Optional:** glass lid GL390

**Dimensions (W x D):** 860 x 500 mm

Without safety devices:

**MODEL E90-551 X**



**MODEL E90-540 X**  
Stainless steel design

**Key features**

5 gas burners  
1 triple ring gas burner  
Electronic ignition  
Safety devices  
Dishwashable enamelled pan supports  
Side controls

**Accessory:** wok stand

**Optional:** glass lid GL390

**Dimensions (W x D):** 860 x 500 mm

Without safety devices:

**MODEL E90-541 X**



**GLASS LIDS:**  
**GL 390 MIRROR**  
**GL 390 BLACK**



# Built In Gas Hobs

## Planum 90



**MODEL E90-440 X**  
Stainless steel design

**Key features**

4 gas burners  
1 triple ring wok burner  
Electronic ignition  
Safety devices  
Dishwashable enamelled pan supports  
Central grid space  
Side controls

**Accessory:** wok stand

**Optional:** glass lid GL390

**Dimensions (W x D):** 860 x 500 mm

Without safety devices:

**MODEL E90-441 X**



**MODEL E90-410 X**  
Stainless steel design

**Key features**

3 gas burners  
1 triple ring wok burner  
1 standard hotplate with indicator light  
Electronic ignition  
Safety devices  
Dishwashable enamelled pan supports  
Central grid for extra space  
Side controls

**Accessory:** wok stand

**Optional:** glass lid GL390

**Dimensions (W x D):** 860 x 500 mm

Without safety devices:

**MODEL E95-411 X**



**MODEL E90-330 X**  
Stainless steel design

**Key features**

3 gas burners  
2 triple ring wok burners  
Electronic ignition  
Safety devices  
Dishwashable enamelled pan supports  
Central grid for extra space  
Side controls

**Accessory:** wok stand

**Optional:** glass lid GL390

**Dimensions (W x D):** 860 x 500 mm

Without safety devices:

**MODEL E95-331 X**



The unique range of 73 cm gas hobs combine fast cooking with a large cooking surface, providing more space for large cookware.

**MODEL E74-300 X**  
Stainless steel design

- Key features**  
 3 gas burners  
 1 triple ring wok burner  
 Electronic ignition  
 Safety devices  
 Easy to reach front controls

**New cast iron supports**  
**Dimensions (W x D):** 730 x 430 mm

Without safety devices: **MODEL E74-301 X**



# Built In Gas Hobs Planum 74



**MODEL E74-210 X**  
Stainless steel design

- Key features**  
 2 gas burners  
 1 triple ring wok burner  
 1 rapid hotplate with indicator light  
 Electronic ignition  
 Safety devices  
 Easy to reach front controls

**New cast iron supports**  
**Dimensions (W x D):**  
 730 x 430 mm

Without safety devices:  
**MODEL E74-211 X**



**MODEL E74-200 X**  
Stainless steel design

- Key features**  
 2 gas burners  
 1 triple ring wok burner  
 Electronic ignition  
 Safety devices  
 Easy to reach front controls

**New cast iron supports**  
**Dimensions (W x D):**  
 730 x 430 mm

Without safety devices:  
**MODEL E74-201 X**



# Built In Gas Hobs Planum 70

The range of 70cm gas hobs has been specially designed for 60cm cut-out providing more cooking possibilities.

**MODEL E75-545 X**  
Stainless steel design

**Key features**

- 5 gas burners
- 1 triple ring wok burner
- Electronic ignition
- Safety devices
- Easy to reach front controls
- Cast iron supports

**Accessory:** cast iron wok stand

**Optional:** glass lid GL370

**Dimensions (W x D):**  
680 x 500 mm

Without safety devices:

**MODEL E75-546 X**



**MODEL E75-555 X**  
Stainless steel design

**Key features**

- 5 gas burners
- 1 fish burner
- Electronic ignition
- Safety devices
- Easy to reach front controls
- Cast iron supports

**Optional:** glass lid GL370

**Dimensions (W x D):**  
680 x 500 mm

**GLASS LIDS:**  
**GL 370 MIRROR**  
**GL 370 BLACK**



**MODEL E70-540 X**

Stainless steel design

**Key features**

- 5 gas burners
- 1 triple ring wok burner
- Electronic ignition
- Safety devices
- Easy to reach front controls
- Dishwashable enamelled pan supports

**Accessory:** wok stand

**Optional:** glass lid GL370

**Dimensions (W x D):**

680 x 500 mm

Without safety devices:

**MODEL E70-541 X**



**MODEL E70-450 X**

Stainless steel design

**Key features**

- 4 gas burners
- 1 triple ring wok burner and 1 fish burner
- Electronic ignition
- Safety devices
- Easy to reach front controls
- Dishwashable enamelled pan supports

**Accessory:** wok stand

**Optional:** glass lid GL370

**Dimensions (W x D):**

680 x 500 mm

Without safety devices:

**MODEL E70-451 X**



**MODEL E70-330 X**

Stainless steel design

**Key features**

- 3 gas burners
- 1 triple ring wok burner
- Electronic ignition
- Safety devices
- Easy to reach front controls
- Central grid for extra space
- Dishwashable enamelled pan supports

**Accessory:** wok stand

**Optional:** glass lid GL370

**Dimensions (W x D):**

680 x 500 mm

Without safety devices:

**MODEL E70-331 X**

**MODEL E70-280 X**

Stainless steel design

**Key features**

- 2 gas burners
- 2 triple ring wok burners
- Electronic ignition
- Safety devices
- Easy to reach front controls
- Central grid for extra space
- Dishwashable enamelled pan supports

**Accessory:** wok stand

**Optional:** glass lid GL370

**Dimensions (W x D):**

680 x 500 mm

Without safety devices:

**MODEL E70-281 X**





# Built In Gas Hobs Planum 60F

A wide range of standard 60 cm gas hobs with easy to reach front controls is available with a choice of burners and optional safety devices.

## MODEL EF65-445 X

Stainless steel design

### Key features

- 4 gas burners
- 1 triple ring burner
- Electronic ignition
- Safety devices
- Easy to reach front controls
- Cast iron supports

**Accessory:** cast iron wok stand

**Optional:** glass lid GL260

**Dimensions (W x D):** 580 x 500 mm



## MODEL EF60-440

### Key features

- 4 gas burners
- 1 triple ring wok burner
- Electronic ignition
- Safety devices
- Easy to reach front controls
- Dishwashable enamelled pan supports

**Accessory:** wok stand

**Optional:** glass lid GL260

**Dimensions (W x D):** 580 x 500 mm

### Available in

Stainless steel: **MODEL EF60-440 X**  
(without safety devices EF60-441 X)

Black: **MODEL EF60-440 BK**  
(without safety devices EF60-441 BK)

White: **MODEL EF60-440 WH**  
(without safety devices EF60-441 WH)



**GLASS LIDS:**  
**GL 260 MIRROR**  
**GL 260 BLACK**  
**GL 260 WHITE**



**MODEL EF60-400**

**Key features**

- 4 gas burners
- Electronic ignition
- Safety devices
- Easy to reach front controls
- Dishwashable enamelled pan supports

**Optional:** glass lid GL260

**Dimensions (W x D):** 580 x 500 mm

**Available in**

Stainless steel: **MODEL EF60-400 X**  
 (without safety devices EF60-401 X)

Black: **MODEL EF60-400 BK**  
 (without safety devices EF60-401 BK)

White: **MODEL EF60-400 WH**  
 (without safety devices EF60-401 WH)

**MODEL EF60-300**

**Key features**

- 3 gas burners
- 1 triple ring wok burner
- Electronic ignition
- Safety devices

Easy to reach front controls

Dishwashable enamelled

pan supports

**Accessory:** wok stand

**Optional:** glass lid GL260

**Dimensions (W x D):** 580 x 500 mm

**Available in**

Stainless steel: **MODEL EF60-300 X**  
 (without safety devices EF60-301 X)

Black: **MODEL EF60-300 BK**  
 (without safety devices EF60-301 BK)

White: **MODEL EF60-300 WH**  
 (without safety devices EF60-301 WH)

**MODEL EF60-310**

**Key features**

- 3 gas burners
- 1 rapid hotplate with indicator light
- Electronic ignition
- Safety devices

Easy to reach front controls

Dishwashable enamelled

pan supports

**Optional:** glass lid GL260

**Dimensions (W x D):** 580 x 500 mm

**Available in**

Stainless steel: **MODEL EF60-310 X**  
 (without safety devices EF60-311 X)

Black: **MODEL EF60-310 BK**  
 (without safety devices EF60-311 BK)

White: **MODEL EF60-310 WH**  
 (without safety devices EF60-311 WH)



**GLASS LIDS:**  
**GL 260 MIRROR**  
**GL 260 BLACK**  
**GL 260 WHITE**

**MODEL ES60-440**

**Key features**

- 4 gas burners
- 1 triple ring wok burner
- Electronic ignition
- Safety devices
- Side controls
- Dishwashable enamelled pan supports
- Accessory:** wok stand
- Optional:** glass lid GL360
- Dimensions (W x D):** 580 x 500 mm

**Available in**

Stainless steel: **MODEL ES60-440 X**  
 (without safety devices ES60-441 X)

Black: **MODEL ES60-440 BK**  
 (without safety devices ES60-441 BK)

White: **MODEL ES60-440 WH**  
 (without safety devices ES60-441 WH)

**MODEL ES65-450 X**

Stainless steel design

**Key features**

- 4 gas burners
- Electronic ignition
- Safety devices
- Side controls
- Cast iron supports
- Optional:** glass lid GL360
- Dimensions**  
**(W x D):** 580 x 500 mm

Without safety devices:  
**MODEL ES65-451 X**

**MODEL ES65-445 X**

Stainless steel design

**Key features**

- 4 gas burners
- 1 triple ring wok burner
- Electronic ignition
- Safety devices
- Side controls
- Cast iron supports
- Accessory:** cast iron wok stand
- Optional:** glass lid GL360
- Dimensions (W x D):** 580 x 500 mm



# Built In Gas & Electric Hobs Planum 60S

A wide range of standard 60 cm gas and electric hobs with side controls is available with a choice of burners and optional safety devices.





### MODEL ES60-400

#### Key features

4 gas burners  
Electronic ignition  
Safety devices  
Side controls  
Dishwashable enamelled pan supports  
**Optional:** glass lid GL360  
**Dimensions (W x D):** 580 x 500 mm

#### Available in

Stainless steel: **MODEL ES60-400 X**  
(without safety devices ES60-401 X)

Black: **MODEL ES60-400 BK**  
(without safety devices ES60-401 BK)

White: **MODEL ES60-400 WH**  
(without safety devices ES60-401 WH)



### MODEL ES60-310

#### Key features

3 gas burners  
1 triple ring wok burner  
1 standard hotplate with indicator light  
Electronic ignition  
Safety devices  
Side controls  
Dishwashable enamelled pan supports  
**Accessory:** wok stand  
**Optional:** glass lid GL360  
**Dimensions (W x D):** 580 x 500 mm

#### Available in

Stainless steel: **MODEL ES60-310 X**  
(without safety devices ES60-311 X)

Black: **MODEL ES60-310 BK**  
(without safety devices ES60-311 BK)

White: **MODEL ES60-310 WH**  
(without safety devices ES60-311 WH)



### MODEL ES60-300

#### Key features

3 gas burners  
1 triple ring wok burner  
Electronic ignition  
Safety devices  
Side controls  
Dishwashable enamelled pan supports  
**Accessory:** wok stand  
**Optional:** glass lid GL360  
**Dimensions (W x D):** 580 x 500 mm

#### Available in

Stainless steel: **MODEL ES60-300 X**  
(without safety devices ES60-301 X)

Black: **MODEL ES60-300 BK**  
(without safety devices ES60-301 BK)

White: **MODEL ES60-300 WH**  
(without safety devices ES60-301 WH)



### MODEL ES60-042 X

#### Key features

4 hotplates with indicator light  
2 rapid hotplates  
2 standard hotplates  
**Optional:** glass lid GL360  
**Dimensions (W x D):** 580 x 500 mm

#### Available in

Stainless steel: **MODEL ES60-042 X**  
Black: **MODEL ES60-042 BK**  
White: **MODEL ES60-042 WH**

### MODEL ES60-044 X

#### Key features

4 standard hotplates with indicator light  
**Optional:** glass lid GL360  
**Dimensions (W x D):** 580 x 500 mm

#### Available in

Stainless steel: **MODEL ES60-044 X**  
Black: **MODEL ES60-044 BK**  
White: **MODEL ES60-044 WH**

**MODEL E36-100 BK**  
Bevelled glass front edge  
with lateral stainless steel trims

**Key features**  
1 triple gas burner  
Front controls  
Electronic ignition  
Safety devices  
Cast iron pan supports  
**Accessory:** Wok stand  
**Dimensions (W x D):**  
300 x 510 mm

**MODEL E36-200 BK**  
Bevelled glass front edge  
with lateral stainless steel trims

**Key features**  
2 gas burners  
Front controls  
Electronic ignition  
Safety devices  
Cast iron pan supports  
**Accessory:** Wok stand  
**Dimensions (W x D):**  
300 x 510 mm

**MODEL E31-050 BK**  
Bevelled glass front edge  
with lateral stainless steel trims

**Key features**  
2 vitroceramic Hi-Light  
heating zones  
Front controls  
Timer on both zones  
9 power levels with indicator  
light  
Electronic touch control  
Residual heat indicators  
Indicator light  
Safety key lock  
**Dimensions (W x D):**  
300 x 510 mm

**MODEL E32-050 BK**  
Bevelled glass front edge  
with lateral stainless steel trims

**Key features**  
2 vitroceramic Induction  
heating zones  
Front controls  
Timer on both zones  
Booster function on rear zone  
9 power levels with indicator  
light  
Electronic touch control  
Residual heat indicators  
Indicator light  
Safety key lock  
**Dimensions (W x D):**  
300 x 510 mm



## Built In Domino Units Modulum

Mix and match with the collection of domino units. A whole array of smaller **gas, ceramic and induction** modules can be joined together with griddles, barbecues or fryers for a complete selection.



**MODEL E35-100 X**  
Stainless steel design

**Key features**

1 triple gas burner  
Front controls  
Electronic ignition  
Safety devices  
Cast iron pan supports

**Accessory:** Wok stand

**Optional:**

glass lid GL 230

**Dimensions (W x D):**

288 x 510 mm

With enamelled  
pan supports:

**MODEL E30-100 X**

Without safety devices:

**MODEL E30-110 X**



**MODEL E35-200 X**  
Stainless steel design

**Key features**

2 gas burners  
Front controls  
Electronic ignition  
Safety devices  
Cast iron pan supports

**Accessory:** Wok stand

**Optional:**

glass lid GL 230

**Dimensions (W x D):**

288 x 510 mm

With enamelled  
pan supports:

**MODEL E30-200 X**

Without safety devices:

**MODEL E30-210 X**



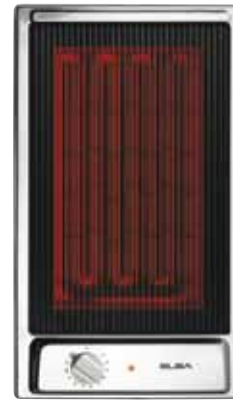
**MODEL E30-800 X**  
Stainless steel design

**Key features**

Vitroc ceramic griddle  
Front controls  
Residual heat indicator  
Indicator light  
Safety thermostat

**Dimensions (W x D):**

288 x 510 mm



**GLASS LIDS:**  
GL 230 MIRROR  
GL 230 BLACK



**DOMINO  
JUNCTION KIT  
6303A12**

Stainless steel junction  
kit, which joins two  
or more domino units,  
allowing you to mix  
and match as desired.

Easy and convenient  
installation



**MODEL E30-020 X**  
Stainless steel design

**Key features**

1 rapid hotplate  
1 standard hotplate  
Front controls  
Indicator light  
Safety thermostat

**Optional:** glass lid GL 230

**Dimensions (W x D):**

288 x 510 mm



**MODEL E30-050 X**  
Stainless steel design

**Key features**

2 vitroc ceramic Hi-Light  
heating zones  
Front controls  
Residual heat indicator  
Indicator light  
Safety thermostat

**Dimensions (W x D):**

288 x 510 mm



**MODEL E30-700 X**  
Stainless steel design

**Key features**

Electric barbecue  
Front controls  
Tray with pumice stones  
Tilted electric element  
Indicator light  
Safety thermostat

**Dimensions (W x D):**

288 x 510 mm



**MODEL E30-610 X**  
Stainless steel design

**Key features**

Electric fryer  
Thermostat control  
Oil tray  
Extractable basket  
Tilted electric element  
Removable safety lid  
Indicator light  
Safety thermostat

**Dimensions (W x D):**

288 x 510 mm



# Built in Hoods

A selection of matching standard, chimney and islands hoods are available in stainless steel, white or black. All hoods have been chosen specifically to complement the ELBA range of built in ovens and hobs.

1. **INSULA** - Island hoods
2. **UNIVERSUM** - Chimney hoods
3. **SPATIUM** - Freestanding hoods

### MODEL ECH 9664 GLX

New modern design of stainless steel and glass  
90cm island hood

#### Key features

Luminous soft touch controls  
3 speed settings  
Extra booster setting  
Clean Air option  
Timer  
Filter Change Notification  
Halogen lights  
Dishwashable aluminium filters  
**Capacity:** 750m<sup>3</sup>/hour  
Quiet working at only **56 dBA**  
**Accessories** Charcoal filter  
and air diverter included



### MODEL ECH 9624 X

Stainless steel design  
90cm island hood

#### Key features

Luminous soft touch controls  
3 speed settings  
Extra booster setting  
Clean Air option  
Timer  
Filter Change Notification  
Halogen lights  
Dishwashable aluminium filters  
**Capacity:** 750m<sup>3</sup>/hour  
Quiet working at only **56 dBA**  
**Accessories** Charcoal filter  
and air diverter included



## Island Hoods **Insula**

Technology meets design. INSULA hoods are the focal point of your kitchen. Multifunction features are easily operated with soft touch controls.

### Special features



**Clean Air Refresh** – press timer for 3 seconds to automatically activate the fan at the minimum speed for 10 min each hour, for continuous fresh air in your kitchen.

**Booster** – press speed 3 for 3 seconds to increase the speed to the highest level (4) for 10 min, after which it is reduced automatically back to speed 3.

**Timer** – automatically switches off after 15 min

**Filter saturation** – filter change notification – after approx. 30 hours.

**MODEL ECH 9364 GLX**

Stainless steel design  
with glass surface  
90cm chimney hood

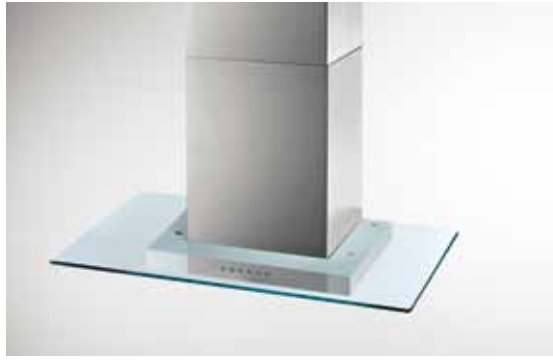
**Key features**

Luminous soft touch controls  
3 speed settings plus extra booster option  
Halogen lights  
Dishwashable aluminium grease filters

**Capacity:** 750m<sup>3</sup>/hour

Quiet performance **56 dBA**

**Accessories** Charcoal filter  
and air diverter included

**MODEL ECH 6144 X**

Stainless steel design  
60cm chimney hood

**Key features**

Push button controls  
3 speed settings  
Dishwashable aluminium grease filters

**Capacity:** 750m<sup>3</sup>/hour

Quiet performance **48dBA**

**Accessories** Charcoal filter  
and air diverter included



Also available

90cm wide **MODEL ECH 9144X**

100 cm wide **MODEL ECH 10144 X**

120 cm wide **MODEL ECH 12144 X**

# Chimney Hoods **Universum**

UNIVERSUM chimney hoods are stylish, quiet and provide great results

**MODEL ECH 1266 X**

Stainless steel design  
120cm chimney hood

**Key features**

Push button controls  
3 speed settings  
Halogen lights  
Dishwashable aluminium grease filters

**Capacity:** 950m<sup>3</sup>/hour

Quiet performance **56 dBA**

**Accessories** Charcoal filter  
and air diverter included

**MODEL ECH 6066 X**

Stainless steel design  
60cm chimney hood

**Key features**

Push button controls  
3 speed settings  
Halogen lights  
Dishwashable aluminium grease filters

**Capacity:** 750m<sup>3</sup>/hour

Quiet performance **56 dBA**

**Accessories** Charcoal filter  
and air diverter included

Also available

90cm wide **MODEL ECH9066 X**



**MODEL ECH 611 WH**

Various colours available –  
model shown in white  
60cm and 90cm freestanding hood

**Key features**

3 speed settings  
Slider controls

**Capacity:** 250-390m<sup>3</sup>/hour

**Models available:**

Colour	60 cm	90 cm
White	<b>ECH 611 WH</b>	<b>ECH 921 WH</b>
Stainless steel	<b>ECH 610 SS</b>	<b>ECH 920 SS</b>
Brown	<b>ECH 612 MB</b>	
Black	<b>ECH 613 BK</b>	

# Freestanding Hoods **Spatium**

SPATIUM hoods will quietly extract the fumes coming directly from your ELBA hob and streamline the look in your kitchen

**MODEL ECH 642 X**

Stainless steel design  
60cm freestanding hood

**Key features**

3 speed settings  
Slider controls

**Capacity:** 390m<sup>3</sup>/hour

Also available 90 cm wide: **MODEL ECH 942 X**



**MODEL ECH 602 SS**

Metal grey design  
60cm built in hood

**Key features**

3 speed settings  
Slider controls

**Capacity:** 390m<sup>3</sup>/hour



# Features Chart Built In Ovens

MODEL	PRIMORIS							SUPERIUS				
	810-100	619-100	610-500	610-100	310-00	211-800	211-600	511-620	911-800	101-800	108-92	101-801
<b>FINISH</b>												
Stainless steel (X)	■	■	■	■	■	■	■	■	■	■	■	■
White (WH)						■	■					
Black (BK)						■	■					
Mirror (MR)												
<b>FUNCTIONS</b>	10	8	8	8	7	8	5	4	8(bottom)+3(top)	9	4	9
Multifunction cooking	■	■	■	■		■	■		■ (bottom)	■		■
Natural convection cooking (Upper and lower element)									■ (top)	■		■
Pyrolytic function		■										
Rotisserie		■						■		■	■	■
Electric grill	■	■	■	■	■	■	■		■	■	■	■
Tilting grill element	■		■									
Fan cooking	■	■	■	■		■			■	■	■	■
Booster programme	■											
Microwave					■							
Gas oven								■			■	
Gas grill								■			■	
<b>PERFORMANCE</b>												
Circular fan element (kW)	2.20	2.20	2.20	1.30		2.20			2.20	2.50		2.50
Top element (kW)	1.00	1.00	1.00	0.70		1.00	1.00		1.00 + 0.70	1.20		1.20
Grill element (kW)	2.00	2.00	2.00	2.00	1.20	2.00	2.00		2.00 + 2.00	2.85		2.85
Bottom element (kW)	1.30	1.30	1.30	1.00		1.30	1.30		1.30 + 1.00	1.75		1.75
Oven burner (kW)								3.00			4.00	
Grill burner (kW)								2.30			2.50	
<b>FEATURES</b>												
Full touch control	■											
Electronic programmer (start/end)	■	■	■	■		■	■		■	■		■
Electronic clock with minute minder					■						■	
Analogue clock with minute minder								■				
Minute Minder												
LED Heat indicators / Residual heat indicators	■											
<b>SAFETY</b>												
Thermostat	50°/250°	50°/250°	50°/250°	50°/250°		50°/250°	50°/250°	130°/240°	50°/250°	50°/250°	130°/240°	50°/250°
Cooling fan	■	■	■	■		■	■		■	■	■	■
Exhaust fan								■				
Thermal cut-out	■	■	■	■	■	■	■		■	■	■	■
Door glass panes	3	4	3	3	2	2	2	2	2	2	2	2
Removable inner door glass	■		■	■		■	■		■	■	■	■
Automatic ignition								■			■	
Safety devices								■			■	
Child lock	■											
Safety lock		■										
<b>INTERNAL</b>												
Cavity enamel	grey	grey	grey	grey	S/S	grey	grey	black	grey	black	black	black
Light	2	1	2	1		■	■	■	1 + 1	2	2	2
Catalytic self-cleaning panels	■		■			■		■				■
Telescopic sliding shelves	2		2	1		1						■
Tray	1	1	1	1		1	1	1	1	1	1	1
Shelf	1	1	1	1		1	1	1	1		1	1
Shaped shelf	1	1	1			1	1	1	1	1	1	1
Pastry plate	1	1	1			1		1	1			
Glass tray					1							
Fat filter	1		1	1		1			1		1	1
<b>SPECIFICATIONS</b>												
Net volume (litres)	53	50	53	35	32	53	53	50	53 + 35	80	73	80
Total gas input (W)								3000			4000	
LPG/Butane								■				
230 volt 50Hz voltage	■	■	■	■	■	■	■	■	■	■	■	■
max electric input (W)	3580	3105	2365	2065	2750	2365	2365	35	5600	3050	90	3050
CE Mark	■	■	■	■	■	■	■	■	■	■	■	■
Energy rating	A	A	A	A		A	A		A/A	A		A
Dimensions (HxW) mm	594 x 594	594 x 594	594 x 594	450 x 594	460 x 592	594 x 594	594 x 594	594 x 594	888 x 594	478 x 896	478 x 896	478 x 896
Cut-out dimensions (WxHxD) mm	560 x 591 x 550	560 x 591 x 550	560 x 591 x 550	560 x 450 x 550	560 x 450 x 550	560 x 591 x 550	560 x 591 x 550	560 x 591 x 550	560 x 877 x 555	480 x 860 x 550	480 x 860 x 550	480 x 860 x 550

S/S: Stainless Steel



LINEARIS	ALTERUM			ELEMENTUM								MODEL	
	415-825	111-624	111-722	510-621	125-624	125-722	125-925	125-725	510-611	102-500	109-51		109-52
													<b>FINISH</b>
													Stainless steel (X)
													White (WH)
													Black (BK)
													Mirror (MR)
8	5	5	4	5	5	4	3	3	5	3	4		<b>FUNCTIONS</b>
													Multifunction cooking
													Natural convection cooking (Upper and lower element)
													Pyrolytic function
													Rotisserie
													Electric grill
													Tilting grill element
													Fan cooking
													Booster programme
													Microwave
													Gas oven
													Gas grill
													<b>PERFORMANCE</b>
2.20								2.20					Circular fan element (kW)
1.00	1.00	1.00		0.80	0.80		0.80		1.20				Top element (kW)
2.00	2.00	2.00		2.00	2.00	2.00	2.00		2.40				Grill element (kW)
1.30	1.30	1.30		1.00	1.00		1.00		1.75				Bottom element (kW)
			3.00					3.00		4.00	4.00		Oven burner (kW)
			2.30					2.30		2.50	2.50		Grill burner (kW)
													<b>FEATURES</b>
													Full touch control
													Electronic programmer (start/end)
													Electronic clock with minute minder
													Analogue clock with minute minder
													Minute Minder
													LED Heat indicators / Residual heat indicators
													<b>SAFETY</b>
50°/250°	50°/250°	50°/250°	130°/240°	50°/250°	50°/250°	50°/250°	50°/250°	130°/240°	50°/250°	130°/240°	130°/240°		Thermostat
													Cooling fan
													Exhaust fan
													Thermal cut-out
2	2	2	2	2	2	2	2	2	2	2	2		Door glass panes
													Removable inner door glass
													Automatic ignition
													Safety devices
													Child lock
													Safety lock
													<b>INTERNAL</b>
grey	grey	grey	black	black	black	black	black	black	black	black	black	black	Cavity enamel
1	1	1	1	1	1	1	1	1	1	1	1	2	Light
													Catalytic self-cleaning panels
													Telescopic sliding shelves
1	1	1	1	1	1	1	1	1	1	1	1	1	Tray
1	1	1	1	1	1	1	1	1	1	1	1		Shelf
1												1	Shaped shelf
1			1										Pastry plate
													Glass tray
													Fat filter
													<b>SPECIFICATIONS</b>
53	53	53	50	53	53	53	53	50	80	73	73		Net volume (litres)
			3000					3000					Total gas input (W)
													LPG/Butane
													230 volt 50Hz voltage
2365	2365	2365	35	2040	2019	2240	2015	35	2975	45	89		max electric input (W)
													CE Mark
B	B	B		B	A	A	A						Energy rating
594 x 594	594 x 594	594 x 594	594 x 594	594 x 594	594 x 594	594 x 594	594 x 594	594 x 594	478 x 896	478 x 896	478 x 896		Dimensions (HxW) mm
560 x 591 x 550	560 x 591 x 550	560 x 591 x 550	560 x 591 x 550	560 x 591 x 550	560 x 591 x 550	560 x 591 x 550	560 x 591 x 550	560 x 591 x 550	480 x 860 x 550	480 x 860 x 550	480 x 860 x 550		Cut-out dimensions (WxHxD) mm

# Features Chart Built In Gas Hobs

MODELS	ELEGANTIA			ELEGANTIA 71		ELEGANTIA 41		PLANUM 90			
	E95-500	E75-500	E65-400	E71-300 /301	E71-200 /201	E41-455	E41-450 /451	E95-645 /646	E95-555 /556	E95-565	E95-545 /546
<b>FEATURES GAS HOB</b>											
<b>CONTROLS</b>											
Side controls						■	■	■	■	■	■
Front controls	■	■	■	■	■						
Electronic ignition	■	■	■	■	■	■	■	■	■	■	■
<b>COLOUR</b>											
Stainless steel (X)								■	■	■	■
White (WH)		■									
Black (BK)	■	■	■	■	■	■	■				
Glass surface	■	■	■	■	■	■	■				
Bevelled glass	■	■	■								
Mirror (MR)				■	■		■				
Stainless steel control panel	■	■	■								
<b>SAFETY</b>											
Safety device	■	■	■	■/-	■/-	■	■/-	■/-	■/-	■	■/-
<b>GAS BURNERS</b>											
Numer of gas burners	5	5	4	3	2	4	4	6	5	5	5
Pan supports	5	5	4	3	2	4	4	3	3	3	3
Cast iron pan supports	■	■	■	■	■	■		■	■	■	■
Enameled steel pan supports							■				
Wok stand	■	■		■	■			■	■		
Central grid											
Small adapter grate											
<b>GAS BURNER INPUT (kW)</b>											
Auxiliary burner - 1.00 kW	1	1	1			1	1	2	1	1	1
Semi-rapid burner - 1.75 kW	2	2	2	1		2	2	2	2	2	2
Rapid burner - 3.00 kW	1	1	1			1	1	1			1
Triple ring burner - 3.50 kW								1	1	1	1
Triple ring burner - 4.00 kW	1	1		2	2						
Fish burner - 1.75 kW									1		
Dual burner - 4.2 kW										1	
Total gas input kW	11.50	11.50	7.50	9.75	8.00	7.50	7.50	12.00	9.75	12.50	11.00
<b>ELECTRIC HEATING ZONES</b>											
Number of hotplates											
Number of indicator lamps											
Standard hotplate Ø 145/1000 W											
Rapid hotplate Ø 145/1500 W											
Total electric input kW											
<b>TECHNICAL SPECIFICATIONS</b>											
Voltage 230 V 50/60Hz	■	■	■	■	■	■	■	■	■	■	■
CE mark	■	■	■	■	■	■	■	■	■	■	■
Glass lid (accessory)								■	■	■	■
<b>DIMENSIONS</b>											
Overall dimensions (W x D)	869 x 510	715 x 510	580 x 510	730 x 430	730 x 430	590 x 510	590 x 510	860 x 500	860 x 500	860 x 500	860 x 500
Installation cut-out sizes (W x D)	840 x 480	680 x 480	560 x 480	710 x 410	710 x 410	560 x 480	560 x 480	840 x 480	840 x 480	840 x 480	840 x 480

PLANUM 90					PLANUM 74			PLANUM 70						MODELS FEATURES GAS HOBS
E90-550 /551	E90-540 /541	E90-440 /441	E90-330 /331	E90-410 /411	E74-300 /301	E74-200 /201	E74-210 /211	E75-545 /546	E75-555	E75-540 /541	E70-450 /451	E70-330 /331	E70-280 /281	
														<b>CONTROLS</b>
■	■	■	■	■										Side controls
					■	■	■	■	■	■	■	■	■	Front controls
■	■	■	■	■	■	■	■	■	■	■	■	■	■	Electronic ignition
														<b>COLOUR</b>
■	■	■	■	■	■	■	■	■	■	■	■	■	■	Stainless steel (X)
														White (WH)
														Black (BK)
														Glass surface
														Bevelled glass
														Mirror (MR)
														Stainless steel control panel
														<b>SAFETY</b>
■/-	■/-	■/-	■/-	■/-	■/-	■/-	■/-	■/-	■	■/-	■/-	■/-	■/-	Safety device
														<b>GAS BURNERS</b>
5	5	4	3	4	3	2	2	5	5	5	4	3	2	Numer of gas burners
3	3	3	3	3	3	2	2	3	3	3	3	3	3	Pan supports
					■	■	■	■	■					Cast iron pan supports
■	■	■	■	■						■	■	■	■	Enameled steel pan supports
■	■	■	■	■	■	■	■	■		■	■	■	■	Wok stand
		■		■								■	■	Central grid
		■	■	■						■	■	■		Small adapter grate
														<b>GAS BURNER INPUT (kW)</b>
1	1	1		1	1			1	1	1				Auxiliary burner - 1.00 kW
2	2	2	1	2	1	1	1	2	2	2	1	1		Semi-rapid burner - 1.75 kW
	1							1	1	1	1	1		Rapid burner - 3.00 kW
1	1	1	2	1	1	1	1	1		1	1	1	2	Triple ring burner - 3.50 kW
														Triple ring burner - 4.00 kW
1									1		1			Fish burner - 1.75 kW
														Dual burner - 4.2 kW
9.75	11.00	8.00	8.75	8.00	6.25	5.25	5.25	11.00	9.25	11.00	10.00	8.25	7.00	Total gas input kW
														<b>ELECTRIC HEATING ZONES</b>
				1			1							Number of hotplates
				1			1							Number of indicator lamps
				1										Standard hotplate Ø 145/1000 W
							1							Rapid hotplate Ø 145/1500 W
				1.0			1.5							Total electric input kW
														<b>TECHNICAL SPECIFICATIONS</b>
■	■	■	■	■	■	■	■	■	■	■	■	■	■	Voltage 230 V 50/60Hz
■	■	■	■	■				■	■	■	■	■	■	CE mark
■	■	■	■	■				■	■	■	■	■	■	Glass lid (accessory)
														<b>DIMENSIONS</b>
860 x 500	860 x 500	860 x 500	860 x 500	860 x 500	730 x 430	730 x 430	730 x 430	680 x 500	680 x 500	680 x 500	680 x 500	680 x 500	680 x 500	Overall dimensions (W x D)
840 x 480	840 x 480	840 x 480	840 x 480	840 x 480	710 x 410	710 x 410	710 x 410	560 x 480	560 x 480	560 x 480	560 x 480	560 x 480	560 x 480	Installation cut-out sizes (W x D)

# Features Chart Built In Gas Hobs

MODELS	PLANUM 60F					PLANUM 60S						MODULUM DOMINO			
	EF65-445	EF60-440 /441	EF60-400 /401	EF60-300 /301	EF60-310 /311	ES65-445	ES65-450 /451	ES60-440 /441	ES60-400 /401	ES60-300 /301	ES60-310 /311	E35-200 ES30-200 /210	E35-100 E30-100 /110	E36-100	E36-200
<b>FEATURES GAS HOBS</b>															
<b>CONTROLS</b>															
Side controls						■	■	■	■	■	■				
Front controls	■	■	■	■	■							■	■	■	■
Touch controls															
Electronic ignition	■	■	■	■	■	■	■	■	■	■	■	■	■	■	■
<b>COLOUR</b>															
Stainless steel (X)	■	■	■	■	■	■	■	■	■	■	■	■	■		
White (WH)		■	■	■	■			■	■	■	■				
Black (BK)		■	■	■	■			■	■	■	■				
Glass surface														■	■
Bevelled glass														■	■
Mirror (MR)															
Stainless steel control panel															
Stainless steel trim															
<b>SAFETY</b>															
Safety device	■	■/-	■/-	■/-	■/-	■	■/-	■/-	■/-	■/-	■/-	■/-	■/-	■	■
Auto Switch Off															
Child lock															
<b>GAS BURNERS</b>															
Numer of gas burners	4	4	4	3	3	4	4	4	4	3	3	2	1	1	2
Pan supports	2	2	2	2	2	2	2	2	2	2	2	1	1	1	2
Cast iron pan supports	■					■	■					E35	E35	■	■
Enameled steel pan supports		■	■	■	■			■	■	■	■	E30	E30		
Wok stand	■	■		■		■		■		■			■	■	
Central grid															
Small adapter grate		■	■	■	■	■	■	■	■	■	■				
<b>GAS BURNER INPUT (kW)</b>															
Auxiliary burner - 1.00 kW	1	1	1	1	1	1	1	1	1	1	1				
Semi-rapid burner - 1.75 kW	2	2	2	1	1	2	2	2	2	1	1	1			1
Rapid burner - 3.00 kW	1		1		1		1		1			1			1
Triple ring burner - 3.50 kW		1		1		1		1		1	1		1	1	
Triple ring burner - 4.00 kW															
Fish burner - 1.75 kW															
Dual burner - 4.2 kW															
Total gas input kW	8.00	8.00	7.50	7.50	5.75	8.00	7.50	8.00	7.50	6.25	6.25	4.75	3.50		
<b>ELECTRIC HEATING ZONES</b>															
Number of hotplates					1						1				
Number of indicator lamps					1						1				
Standard hotplate Ø 145/1000 W											1				
Rapid hotplate Ø 145/1500 W					1										
Total electric input kW					1.50						1.50				
<b>TECHNICAL SPECIFICATIONS</b>															
Voltage 230 V 50/60Hz	■	■	■	■	■	■	■	■	■	■	■	■	■	■	■
CE mark	■	■	■	■	■	■	■	■	■	■	■	■	■	■	■
Glass lid (accessory)	■	■	■	■	■	■	■	■	■	■	■	■	■		
<b>DIMENSIONS</b>															
Overall dimensions (W x D)	580 x 500	580 x 500	580 x 500	580 x 500	580 x 500	580 x 500	580 x 500	580 x 500	580 x 500	580 x 500	580 x 500	288 x 510	288 x 510	300 x 510	300 x 510
Installation cut-out sizes (W x D)	550 x 470	550 x 470	550 x 470	550 x 470	550 x 470	550 x 470	550 x 470	550 x 470	550 x 470	550 x 470	550 x 470	270 x 490	270 x 490	270 x 490	270 x 490

# Features Chart **Built In Electric Hobs**

MODULUM DOMINO							PLANUM 60S		VITRUM - INDUCTION & VITRO CERAMIC								MODELS	
E32-050	E31-050	E30-050	E30-020	E30-800	E30-700	E30-610	ES60-042	ES60-044	377-004I	345-004I	377-006	345-005	477-007	377-007	345-442	345-450GL	246-440	FEATURES ELECTRIC HOB
F/T	F/T	F	F	F	F	F	S	S	F/T	F/T	F/T	F/T	F	F	F	F	S	<b>CONTROLS</b>
		■	■	■	■	■	■	■										*Side/front/touch controls
																		<b>COLOUR</b>
																		Stainless steel (X)
																		White (WH)
																		Black (BK)
■	■								■	■	■	■	■	■	■	■	■	Glass surface
■	■																	Bevelled glass
■																		<b>SAFETY</b>
■									■	■	■	■						Auto Switch Off
■									■	■	■	■						Child lock
																		<b>ELECTRIC HEATING ZONES</b>
	1										2	1	2	2	1			Dual element
■	■								■	■	■	■	■	■	■	■	■	Residual heat indicators
■									■		■	■						Timer (up to 99 min) on each zone
			2				4	4										Number of hotplates
	2	2		1							4	4	5	4	4	4	4	Number vitroc ceramic heating zones
2									4	4								Number induction heating zones
2	2	3	1	1	1	2	1	1	1	1			6	5	5	5	5	Number of indicator lamps
			1				1	2										<b>ELECTRIC HEATING INPUT (W)</b>
							1	2										Standard hotplate Ø 145/1000 W
							1	2										Standard hotplate Ø 180/1500 W
							1											Rapid hotplate Ø 145/1500 W
			1				1											Rapid hotplate Ø 180/2000 W
	1										1	1						Double circular Hi-Light heater 1-9 - 120/210 700/2200 W
													1	1	1			Double circular Hi-Light heater 1-12 - 120/210 700/2200 W
											1							Double oval Hi-Light heater 1-9 - 1400/2200 W
													1	1				Double oval Hi-Light heater 1-12 - 1400/2200 W
		1										1						Hi-Light heater 1-9-180 1800 W
	1										2	2				2	2	Hi-Light heater 1-12-180 1800 W
		1											2	2	2	2	2	Hi-Light heater 1-9-145 1200 W
															1			Hi-Light heater 1-12-145 1200 W
1																		Hi-Light heater 1-12-210-2300 W
1																		Induction element 1400W
																		Induction element 2200W (Booster 3000W)
									2	2								Induction element 1600W
									2	2								Induction element 2000W (Booster 3000W)
				1														Heating zone (rectangular) 1300 W
						1												Heating element 1600 W
					1													Heating element 2400 W
3.60	2.90	3.00	3.00	1.30	2.40	1.60	6.00	5.00	7.20	7.20	6.80	6.40	8.60	6.80	6.90	6.00	6.00	Total electric input (kW)
■	■	■	■	■	■	■	■	■			■	■	■	■	■	■	■	<b>TECHNICAL SPECIFICATIONS</b>
									■	■								Voltage 230 V 50/60Hz
									■	■								Voltage 220-240 V 50/60Hz
									■	■	■	■	■	■	■	■	■	CE mark
																		Glass lid (accessory)
																		<b>DIMENSIONS</b>
300 x 510	300 x 510	288 x 510	288 x 510	288 x 510	288 x 510	288 x 510	580 x 500	580 x 500	770 x 510	590 x 510	770 x 510	590 x 510	900 x 510	770 x 510	770 x 510	590 x 510	575 x 505	Overall dimensions (W x D)
270 x 490	270 x 490	270 x 490	270 x 490	270 x 490	270 x 490	270 x 490	550 x 470	550 x 470	740 x 490	560 x 490	740 x 490	560 x 490	870 x 490	740 x 490	740 x 490	560 x 490	560 x 490	Installation cut-out sizes (W x D)

# Features Chart Built In Hoods

MODELS	INSULA		UNIVERSUM								
	EHC 9664 GLX	EHC 9624 X	ECH 6144 X	ECH 9144 X	ECH 10144 X	ECH 12144 X	ECH 9364 GLX	ECH 6066 X	ECH 9066 X	ECH 1266 X	
<b>TYPE</b>	Island	Island	Chimney	Chimney	Chimney	Chimney	Chimney	Chimney	Chimney	Chimney	Chimney
Width (mm)	900	900	600	900	1000	1200	900	600	900	1200	
Finish	Stainless steel with glass	Stainless steel	Stainless steel	Stainless steel	Stainless steel	Stainless steel	Stainless steel	Stainless steel	Stainless steel	Stainless steel	Stainless steel
Controls	Luminous soft touch	Luminous soft touch	Push Buttons	Push Buttons	Push Buttons	Push Buttons	Luminous soft touch	Push Buttons	Push Buttons	Push Buttons	
<b>PERFORMANCE</b>											
Number of speeds	3+1	3+1	3	3	3	3	3+1	3	3	3	
<b>SPECIAL FEATURES</b>											
Timer	■	■					■				
Booster	■	■					■				
Saturation	■	■					■				
Filters	■	■					■				
Clean Air	■	■					■				
Lamp	2x20W Halogen lights	2x20W Halogen lights	2 x 40 W	2 x 40 W	2 x 40 W	2 x 40 W	2x20W Halogen lights	2x20W Halogen lights	2x20W Halogen lights	2x20W Halogen lights	
Mc/h (**)	750	750	750	750	750	750	750	750	750	950	
Pressure (Pa)	436	436	339	339	339	339	436	436	436	436	
Noise (dbA) (***)	56	56	48	48	48	48	56	56	56	56	
Grease filters	Aluminium panels	Aluminium panels	Aluminium panels	Aluminium panels	Aluminium panels	Aluminium panels	Aluminium panels	Aluminium panels	Aluminium panels	Aluminium panels	
Charcoal filter	■	■	■	■	■	■	■	■	■	■	
Air diverter	■	■	■	■	■	■	■	■	■	■	
<b>INSTALLATION</b>											
Fitting Kit (screws)	■	■									
Cold air valve	■	■	■	■	■	■	■	■	■	■	
Outlet (mm)	150	150	150	150	150	150	150	150	150	150	
Electrical supply	220-240V 50-60Hz	220-240V 50-60Hz	220-240V 50-60Hz	220-240V 50-60Hz	220-240V 50-60Hz	220-240V 50-60Hz	220-240V 50-60Hz	220-240V 50-60Hz	220-240V 50-60Hz	220-240V 50-60Hz	
Supply Cord	■	■	■	■	■	■	■	■	■	■	
Plug (no ground pin)	■	■	■	■	■	■	■	■	■	■	
<b>CE MARK</b>	■	■	■	■	■	■	■	■	■	■	

(\*\*) IEC61591 free airflow

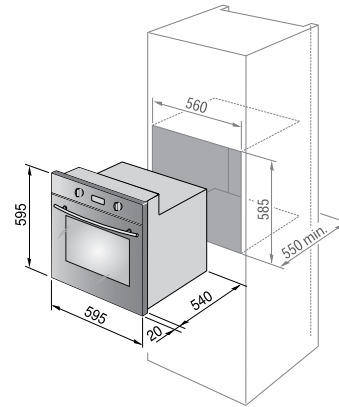
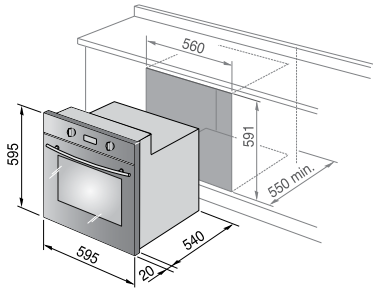
(\*\*\*) IEC60704-2-13 Acoustic pressure

SPATIUM									MODELS
EHC 610 SS	EHC 611 WH	ECH 612 MB	ECH 613 BK	ECH 920 SS	ECH 921 WH	ECH 642 X	ECH 942 X	ECH 602 SS	
Freestanding	Freestanding	Freestanding	Freestanding	Freestanding	Freestanding	Freestanding	Freestanding	Freestanding	<b>TYPE</b>
600	600	600	600	900	900	600	900	600	Width (mm)
Stainless Steel	White	Brown	Black	Stainless steel	White	Stainless steel	Stainless steel	Metal Grey	Finish
Slider	Slider	Slider	Slider	Slider	Slider	Slider	Slider	Slider	Controls
									<b>PERFORMANCE</b>
3	3	3	3	3	3	3	3	3	Number of speeds
									<b>SPECIAL FEATURES</b>
									Timer
									Booster
									Saturation
									Filters
									Clean Air
1 x 40 W	1 x 40 W	1 x 40 W	1 x 40 W	2 x 40 W	2 x 40 W	2 x 40 W	2 x 40 W	2 x 40 W	Lamp
250	250	250	250	390	390	390	390	390	Mc/h (**)
154	154	154	154	246	246	210	210	210	Pressure (Pa)
49	49	49	49	60	60	58	58	58	Noise (dba) (***)
Aluminium panels	Aluminium panels	Aluminium panels	Aluminium panels	Aluminium panels	Aluminium panels	Aluminium panels	Aluminium panels	Aluminium panels	Grease filters
■	■	■	■	■	■	■	■	■	Charcoal filter
									Air diverter
									<b>INSTALLATION</b>
									Fitting Kit (screws)
■	■	■	■	■	■	■	■	■	Cold air valve
120	120	120	120	120	120	120	120	120	Outlet (mm)
220-240V 50Hz	220-240V 50Hz	220-240V 50Hz	220-240V 50Hz	220-240V 50Hz	220-240V 50Hz	220-240V 50Hz	220-240V 50Hz	220-240V 50Hz	Electrical supply
■	■	■	■	■	■	■	■	■	Supply Cord
■	■	■	■	■	■	■	■	■	Plug (no ground pin)
■	■	■	■	■	■	■	■	■	<b>CE MARK</b>

# Diagrams Built In Ovens

## Single Ovens

- |         |         |
|---------|---------|
| 810-100 | 211-800 |
| 619-100 | 125-624 |
| 610-500 | 125-722 |
| 510-611 | 125-925 |
| 510-621 | 125-725 |
| 415-825 | 111-624 |
| 211-600 | 111-722 |

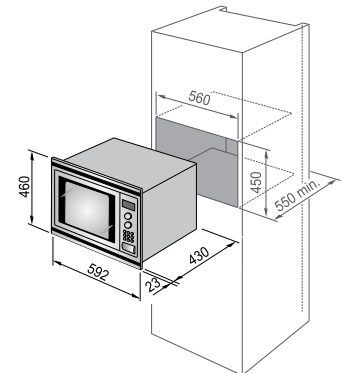
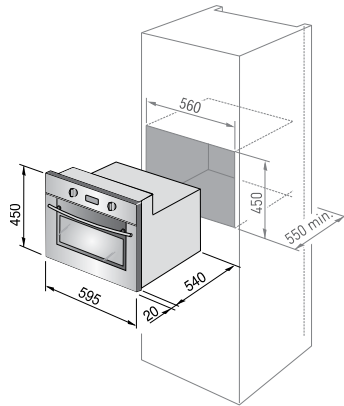
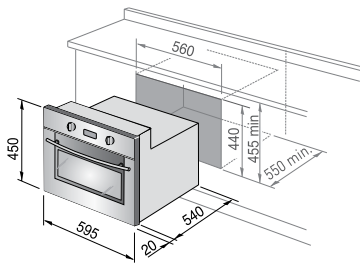


## Compact Oven

610-100

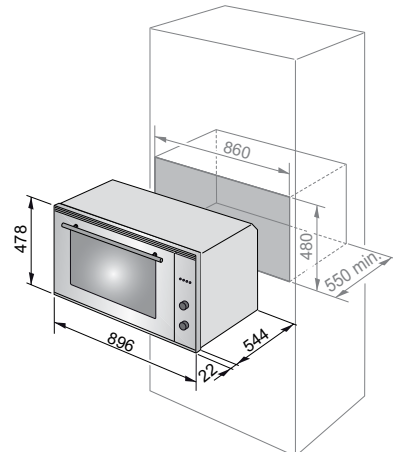
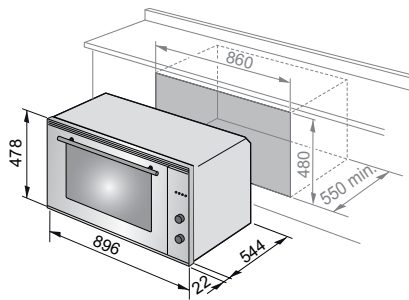
## Microwave Oven

310-00



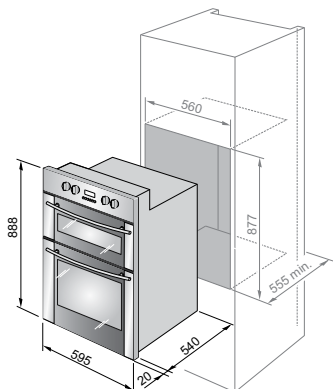
## 90cm Ovens

- |         |
|---------|
| 101-801 |
| 101-800 |
| 102-500 |
| 102-501 |
| 108-92  |
| 109-51  |
| 109-52  |



## Double Oven

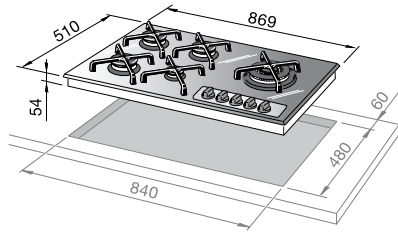
- 911-800



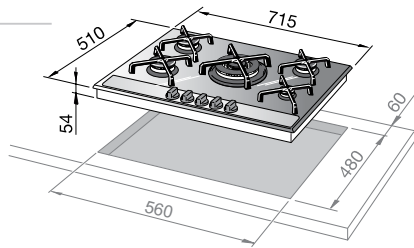


# Diagrams Built In Hobs

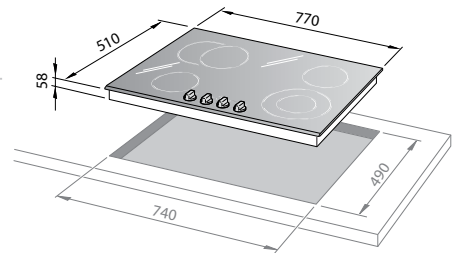
**Gas-on-Glass Hob**  
E95-500



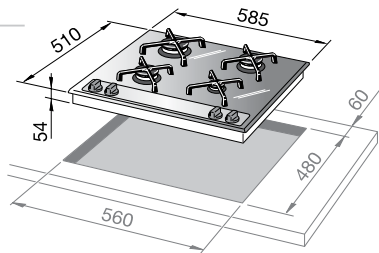
**Gas-on-Glass Hob**  
E75-550



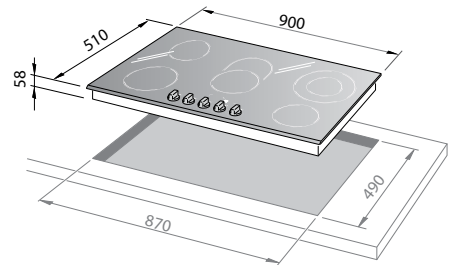
**Vitrum Hobs**  
377-006  
377-004 I  
377-007



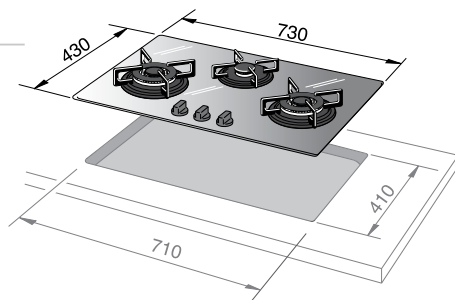
**Gas-on-Glass Hob**  
E65-400



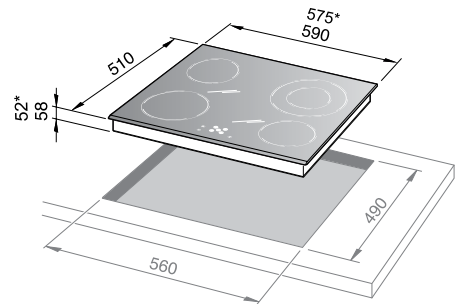
**Vitrum Hobs**  
477-007



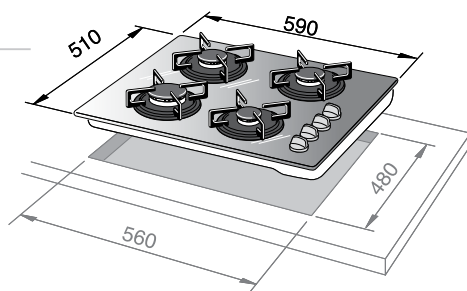
**Gas-on-Glass Hob**  
E71-300  
E71-200



**Vitrum Hobs**  
345-005  
345-004 I  
345-442  
345-450  
246-440\*



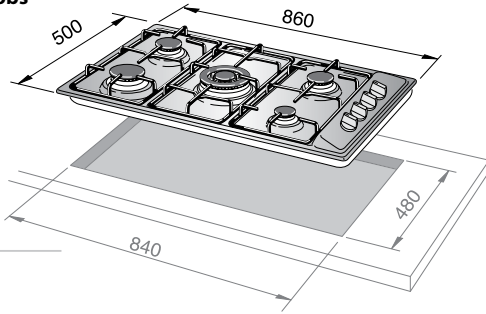
**Gas-on-Glass Hob**  
E41-450  
E41-455



# Diagrams Built In Hobs

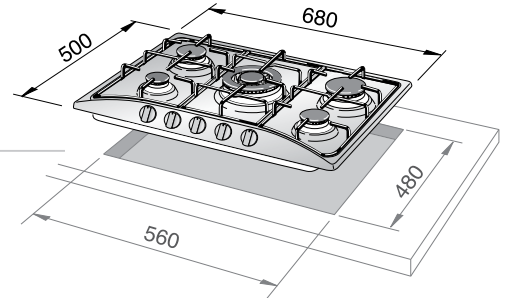
## Planum 90 Gas Hobs

E95-645  
E95-555  
E95-565  
E95-545  
E90-550  
E90-540  
E90-440  
E90-410  
E90-330



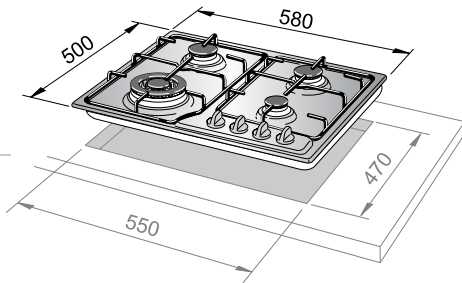
## Planum 70 Gas Hobs

E75-545  
E75-555  
E70-540  
E70-450  
E70-330  
E70-280



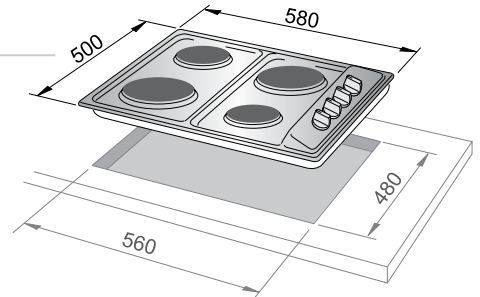
## Planum 60 Gas Hobs (Front Controls)

EF65-445  
EF60-440  
EF60-400  
EF60-300  
EF60-310



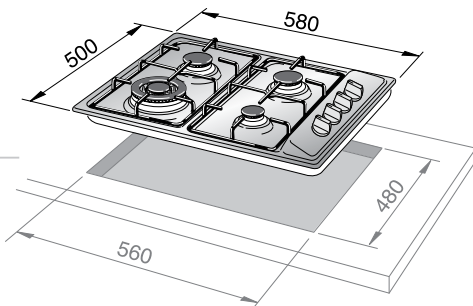
## Planum 60 Electric Hobs

ES60-042  
ES60-044



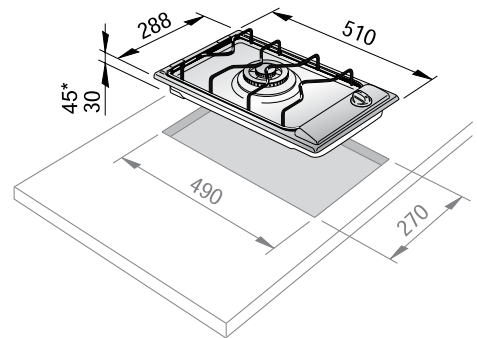
## Planum 60 Gas Hobs (Side Controls)

ES65-450  
ES65-445  
ES60-440  
ES60-400  
ES60-310  
ES60-300



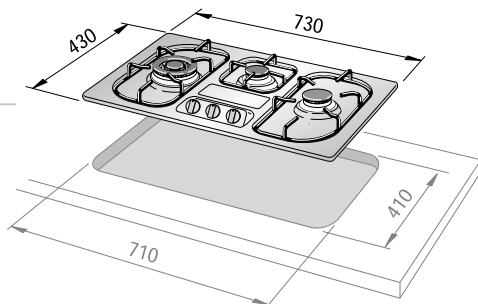
## Modulum Domino Hobs

E36-100  
E36-200  
E31-050  
E32-050  
E35-100  
E35-200  
E30-210  
E30-200  
E30-100  
E30-110  
E30-800\*  
E30-050\*  
E30-020\*



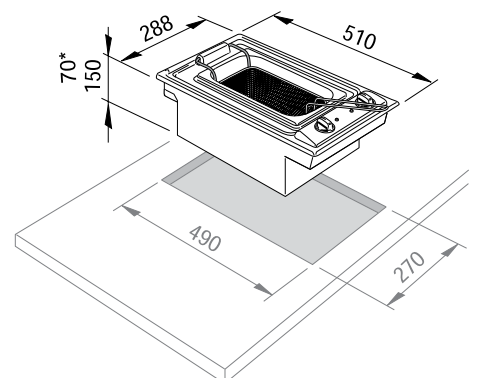
## Planum 74 Gas Hobs

E74-300  
E74-210  
E74-200



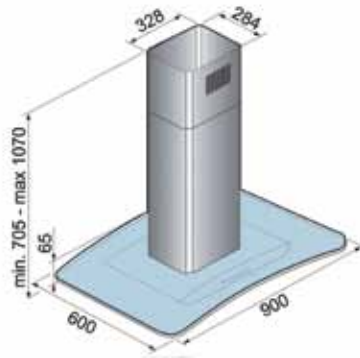
## Modulum Domino Hobs

E30-700\*  
E30-610

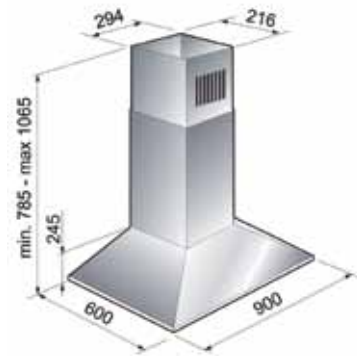


# Diagrams Built In Hoods

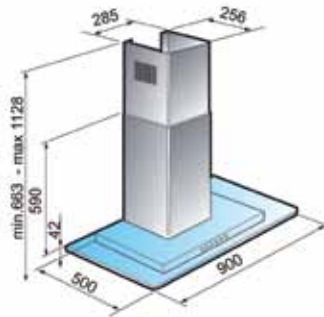
**Insula Hoods**  
ECH 9664



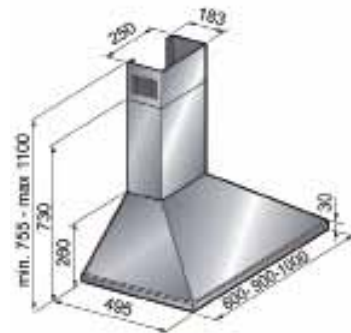
**Insula Hood**  
ECH 9624



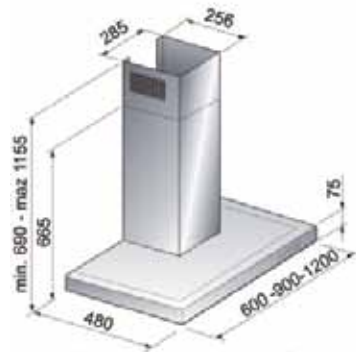
**Universum Hood**  
ECH 9364



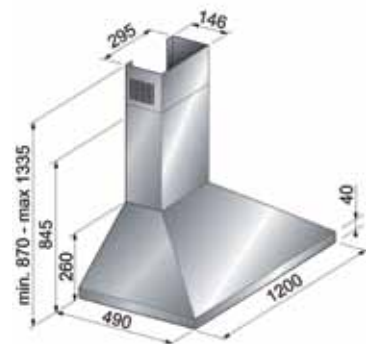
**Universum Hoods**  
ECH 6144  
ECH 9144  
ECH 10144



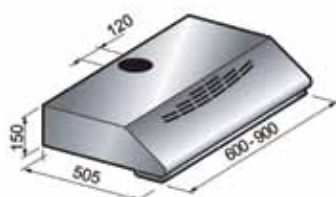
**Universum Hoods**  
ECH 6066  
ECH 9066  
ECH 1266



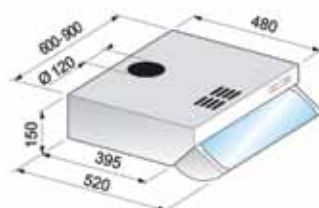
**Universum Hood**  
ECH 12144



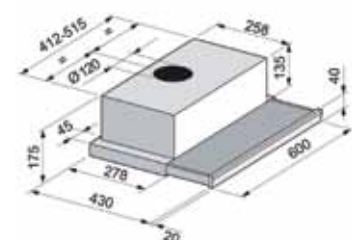
**Spatium Hood**  
ECH 642



**Spatium Hood**  
ECH 611



**Spatium Hood**  
ECH 602



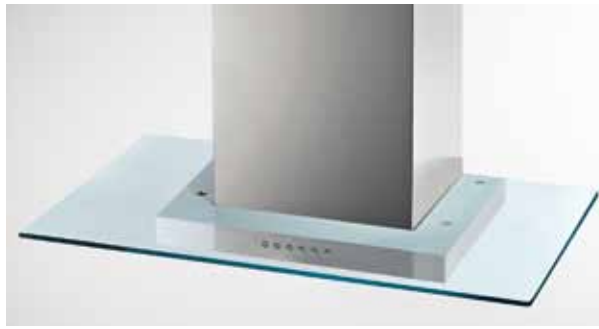


## Built In Kitchen Appliances

Fisher & Paykel Italy Appliances SpA  
Via Fabbian Matteo, 7  
31030 Borso del Grappa (TV)  
Italy

Tel: +39 0423 9121  
Fax: +39 0423 912440

Email: [info@elba-cookers.it](mailto:info@elba-cookers.it)  
[www.elba-cookers.it](http://www.elba-cookers.it)



### Important Notice of Disclaimer

Our brochure contains information on a wide subject of products which we manufacture and / or sell internationally. Some particular products, models or sizes which are detailed in this brochure may not be available for sale and purchase in your area or country, if available the product may have different options to those depicted in the brochure. Before agreeing to purchase a particular product by reference to this brochure please check its availability and accuracy of its description.

Copyright © FISHER & PAYKEL 2009. All Rights Reserved. The product dimensions and specifications in this brochure apply to the specific products and models described at the date of issue. Under our policy of continuous product improvement, these dimensions and specifications may change at any time. You should therefore check with your local dealer to ensure this brochure correctly describes the products currently available.